

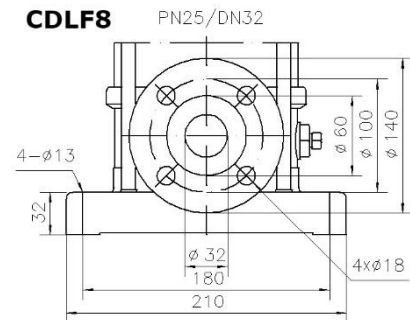
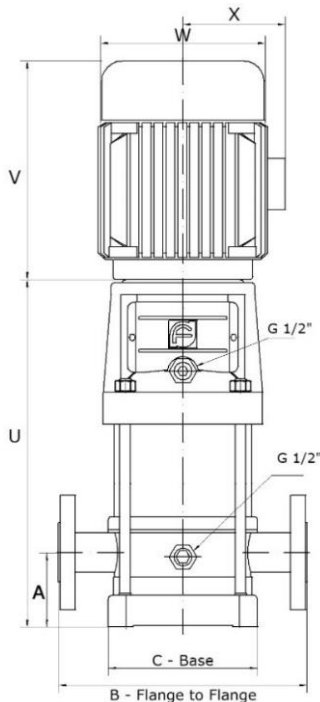
CDLF8 50Hz 2900rpm

Model		Item Code	P2 Shaft kW	Input Voltage	Full Load Current	Cap uF	Inlet / Outlet	Max Flow	Max Head
CNP CDLF 8-6	M	701242	2.2	1ph 240V	12.0A	40	PN25 / DN40	200lpm	65m
CNP CDLF 8-6	T	701243		3Ph 415V Δ	4.25A				
				3Ph 240V Δ	7.36A				
CNP CDLF 8-8	T	701244	3.0	3Ph 415V Δ	5.7A		Dia 50	12.0m ³ /hr	88m
				3Ph 240V Δ	9.9A				
CNP CDLF 8-10	T	701235	4.0	3Ph 415V	7.3A				108m
CNP CDLF 8-12	T	701237							130m
CNP CDLF 8-14	T	701239							5.5

Construction materials

Pump base and Motor support	Cast Iron
Motor coupling	Carbon Steel
Shaft support bearings	Tungsten Carbide
Mechanical seal	Silicon Carbide/Carbon/EPDM
Suction and discharge casing, Pump shaft, Outer sleeve, Impeller sleeve, Impellers	304 S/S

Liquid temp: -15° to 70° C Max Ambient temp: 1Ph 45° C 3Ph 40° C Insulation Class F IP55
Max pump pressure: 25 bar



	U	V	W	X
CNP CDLF 8-6	477	290	190	155
CNP CDLF 8-8	547	345	197	165
CNP CDLF 8-10	607	355	230	188
CNP CDLF 8-12	667			
CNP CDLF 8-14	782	390	260	208

Note: Motor Dimensions may vary

Model	Footing	Flange	Centre Height A	Flange to Flange B	Base Length C	Base Width D
CNP CDLF 8-6	180 W X 110 L 4 x Ø14mm	Ø150 4 x Ø18 100 PCD	80mm	280mm	195mm	247mm
CNP CDLF 8-8						
CNP CDLF 8-10						
CNP CDLF 8-12						
CNP CDLF 8-14						

CDLF8 50Hz 2900rpm

